

KAWAI

GX SERIES
GRAND PIANOS





T H E G R A N D

– KAWAI GX –

The new standard of grand piano design is beyond imagination.

Combining state-of-the-art technology with traditional craftsmanship.

Applying knowledge and experience handed down from generation to generation.

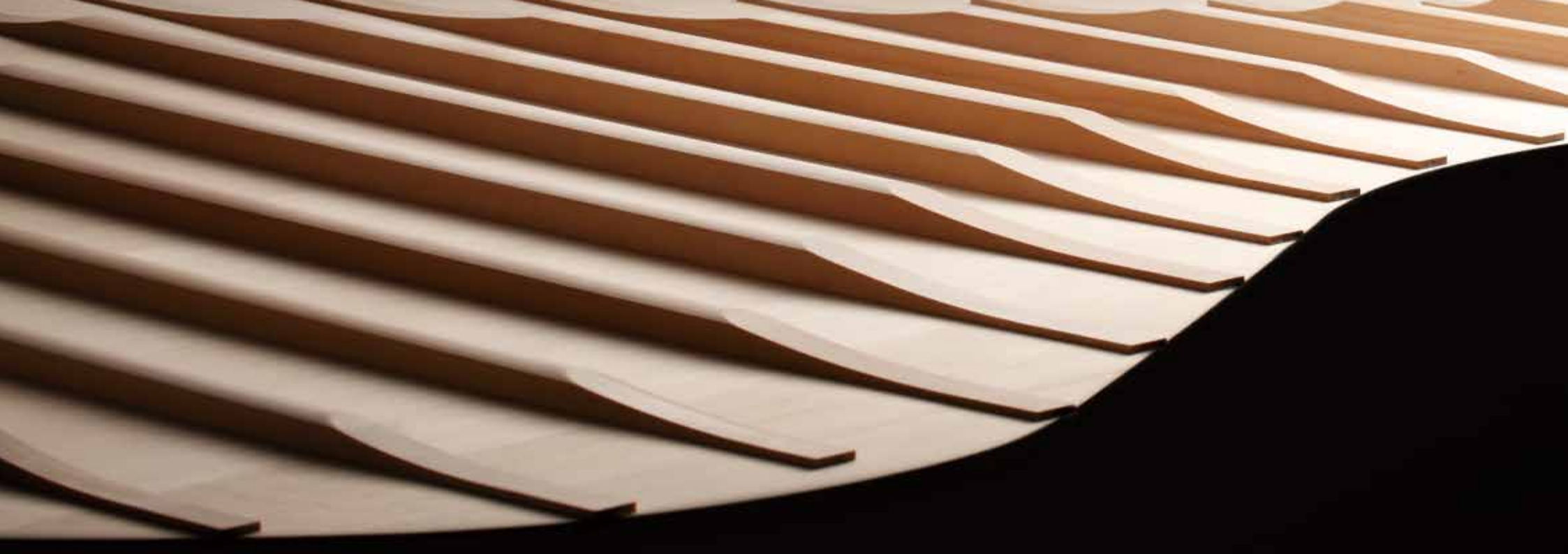
Defining the 'made in Japan' philosophy of piano building.

Lightness of touch usually experienced by only the very finest concert pianists.

Rich, vivid, expressive tone that inspires one's creative passion.

A new era of grand piano performance has arrived.





PURITY OF TONE THAT FILLS THE ROOM

In order to produce Kawai's special tone, a broad range of woods are meticulously analysed for quality and character, before being selected as the finest materials for each specific purpose. The soundboard has arguably the most significant influence over a piano's individual tonal elements. Therefore, woods that conform to the most rigorous gravity and propagation velocity standards are carefully selected by experienced craftsmen in order to achieve rich, deep bass tones, and bright, colourful, sustaining treble tones. In addition to the soundboard, bridges, and ribs, optimum materials for the inner-rim are also carefully considered, combining the unique properties of different hardwoods to create a layered hybrid construction. This produces a broad range of sound, allowing even greater expressive power.



In order to produce a richer, more immersive sound, the overall rigidity of the GX instruments' body has also been improved. The thickness of the upper beam that attaches to the outer-rim is increased, allowing the pin blocks to support a tensile strength load of approximately 20 tons. As the tone of each note is improved, the sense of three-dimensional sound is also enhanced. Moreover, increasing the rigidity of the piano's carbon steel tuning pins further strengthens the instruments' tuning stability, to meet the rigorous demands of the finest pianists.





QUIET YET STRONG, LOUD YET DELICATE – UNPARALLELED TONAL EXPRESSION

In order to realise the pianist's infinite range of expression, the GX Series utilises premium grand piano hammers. These hammers are constructed from wood that possesses excellent acoustic properties, with hammer felt prepared from the finest quality long-haired New Zealand and Australian wool. These felted hammers have a soft, delicate exterior, yet are tight and rigid on the inside. When playing pianissimo passages, the strings are struck by the delicate exterior felt of the hammer to produce a soft and gentle tone, while fortissimo passages utilise the tighter, harder interior felt, thus producing a louder, more powerful sound. Moreover, all hammers are under-felted in order to further improve their resilience. These steps allow experienced piano technicians to perform the most subtle of voicing adjustments in order to maximise the instrument's exquisite sonic potential. Delivering a broad range of tonal colour from pianissimo to fortissimo, and a rich variety of musical expression.

The instrument's duplex scale system further enhances the harmonics of middle and upper-range tones, adding depth and breadth to the overall sound. And to ensure the ultimate touch at the keyboard surface – that magical point where the pianist and the piano become one – all GX instruments adopt premium Neotex coating for white and black keys. This unique material possesses moisture absorbent characteristics to enhance touch control and prevent mistakes, and inspires a sense of reassuring satisfaction within the pianist.





A LIFETIME OF HAPPINESS, WRAPPED WITHIN A GRAND PIANO

Preserving the treasured design of a grand piano, while pursuing new details of elegance – this is the design concept of the GX Series. The instrument's exterior design, with its gentle curves and broad music rest, establishing the traditional characteristics and captivating form of a grand piano.

Expanding the instrument's upper-beam thickness not only reinforces the piano's overall structural rigidity, but also serves to further distinguish this exterior design, with Kawai's highly prized painting and finishing process affording the piano body its distinctive, luxurious ebony polish appearance.

However, the beauty of the GX Series truly shines upon opening the instrument's top-board. The mesmerising brilliance of the glowing golden frame, the delicate woodwork and abundant expression of quality displayed along the inner rim, the luxurious elegance of rich black felt, and the reassuring display of hand-made craftsmanship – verified by the Kawai frame mark. These are the characteristics that embody the spirit of 'THE GRAND'.

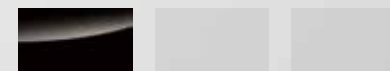
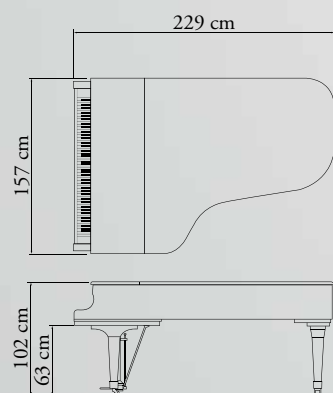


Finally, the GX Series instruments feature useful mechanisms such as multi-angle piano lid props, and Kawai's original 'Soft Fall' system, which closes the fallboard gently and slowly, protecting the player's hands from jarring lid accidents.

GX-7

229 (L) x 157 (W) x 102 (H) cm · 400 kg

At the lofty pinnacle of the GX Series, the regal GX-7 speaks with the transcendent character and authority that has made it the definitive choice of the consummate professional.

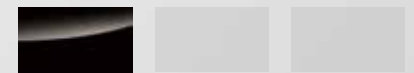
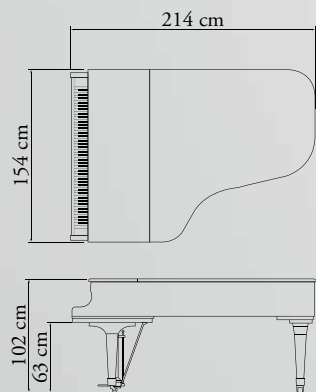


E / P

GX-6

214 (L) x 154 (W) x 102 (H) cm · 382 kg

The GX-6 combines exquisite tone with stunning beauty to offer an instrument befitting the finest concert hall or professional studio.

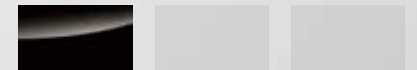
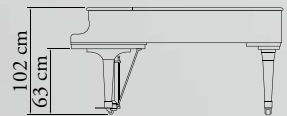
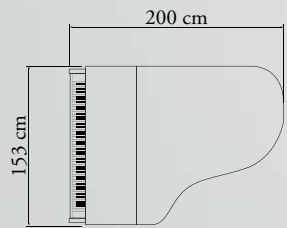


E / P

GX-5

200 (L) x 153 (W) x 102 (H) cm · 351 kg

The GX-5 is the artist's "grand for all seasons". With resplendent tone and superb power, it adapts to an exceptional range of musical requirements and performance venues.

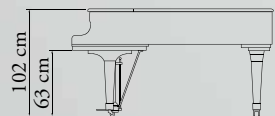
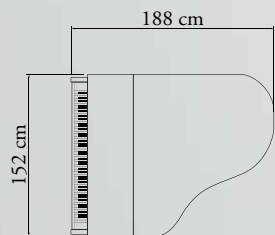


E / P

GX-3

188 (L) x 152 (W) x 102 (H) cm · 334 kg

The GX-3 impresses with a dignified elegance and distinct tone evoking the qualities of a much larger grand. With outstanding tone and touch in a versatile size, it is a preferred choice of professionals.



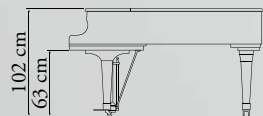
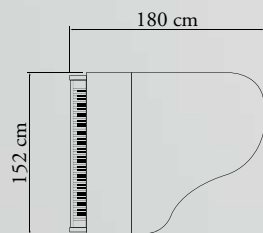
E / P

WH / P

GX-2

180 (L) x 152 (W) x 102 (H) cm · 324 kg

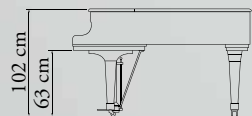
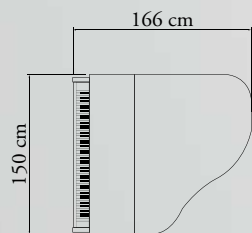
The GX-2 is one of the world's best-selling grand pianos offering superb tonal depth and resonance, and a classic size to grace any home, studio or performance venue.



GX-1

166 (L) x 150 (W) x 102 (H) cm · 314 kg

The GX-1 offers a level of elegance and craftsmanship that is unsurpassed for a piano of its size.

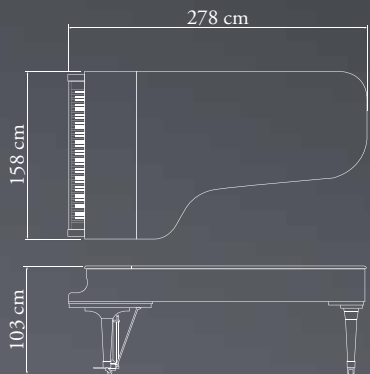


E / P

WH / P

EX

CONSOLIDATING ALL OF KAWAI'S PHILOSOPHIES,
THE EX FULL CONCERT REPRESENTS THE
'GOLD STANDARD' OF PIANO CREATION.



The EX concert grand piano embodies the pursuit of Kawai's 'gold standard' of piano creation: a peerless instrument, fashioned from the very finest materials, and crafted by passionate artisans drawing upon generations of knowledge and experience.

Following the instrument's creation, strict quality checks are conducted utilising state-of-the-art testing equipment, before the piano receives its final tuning and preparation from expert Master Piano Artisans.

Adorning the stages of concert halls around the world, the EX has established a reputation as truly the finest concert grand piano in its class.

SPECIFICATIONS

		EX	GX-7	GX-6	GX-5	GX-3	GX-2	GX-1
Size	Length	278 cm	229 cm	214 cm	200 cm	188 cm	180 cm	166 cm
	Width	158 cm	157 cm	154 cm	153 cm	152 cm	152 cm	150 cm
	Height	103 cm	102 cm	102 cm	102 cm	102 cm	102 cm	102 cm
	Weight	504 kg	400 kg	382 kg	351 kg	334 kg	324 kg	314 kg
Soundboard	Material	Spruce	Spruce	Spruce	Spruce	Spruce	Spruce	Spruce
	Area	2.10 m ²	1.70 m ²	1.60 m ²	1.41 m ²	1.33 m ²	1.23 m ²	1.17 m ²
No. of Beams		5	4	4	4	4	3	3
Millennium III Action		✓	✓	✓	✓	✓	✓	✓
Hammers	Material	Mahogany	Mahogany	Mahogany	Mahogany	Mahogany	Mahogany	Mahogany
	Felting	Underfelted	Underfelted	Underfelted	Underfelted	Underfelted	Underfelted	Underfelted
Neotex Key Surfaces		✓	✓	✓	✓	✓	✓	✓
Extended Key Length		n/a	✓	✓	✓	✓	✓	✓
Duplex Scale		✓	✓	✓	✓	✓	✓	✓
Agraffes		1" - 54 th key	1" - 54 th key	1" - 54 th key	1" - 54 th key	1" - 54 th key	1" - 54 th key	1" - 46 th key
'Soft Fall' Fallboard		✓	✓	✓	✓	✓	✓	✓
Fallboard Lock		✓	✓	✓	✓	✓	✓	✓
Lid Props		3	3	3	3	3	3	3
Caster Configuration		Large, Brass	Double, Brass	Double, Brass	Single, Brass	Single, Brass	Single, Brass	Single, Brass

Specifications are subject to change without notice.

FINISHES



E / P

Ebony Polish



WH / P

White Polish



BW / P

Brown Walnut Polish

Availability of cabinet finishes may vary depending on market area.

ENVIRONMENTAL AWARENESS

In 1997, Kawai's Ryuyo Grand Piano Facility became the first manufacturing plant in the piano industry to receive ISO 14001, the world's foremost certification for excellence in environmental management.

In 1998, Kawai was privileged to receive a second ISO 14001 certification recognising exceptional achievement in re-forestation, energy conservation, waste reduction and natural resource preservation at our highly respected Maisaka Upright Piano Factory.

In 1999, Kawai made history for a third time when ISO 14001 certification was awarded to our Märchen Digital Piano Facility. This unceasing pursuit of environmental excellence is our way of saying that we care deeply about the planet.



ISO 14001 Certification, the world's most prestigious environmental award, was established by the International Organisation for Standardisation the governing body for a worldwide federation of national standards organisations. To become a candidate, a company must demonstrate a history of innovative, self-governing environmental policies and initiatives designed to preserve valuable resources, reduce industrial wastes, protect or improve the environment, and meet all legislative regulations in the course of pursuing its social and economic goals.

ANYTIME X2

ACOUSTIC PIANO TRANQUILLITY FROM KAWAI

A piano that is unmistakably an acoustic, yet can be played regardless of the time or place through the privacy of headphones – this is the serene beauty of AnyTimeX2.

Enjoy the superb, ultra-responsive touch of a Kawai grand piano, with the discretion and convenience of a digital instrument. Whenever, wherever – AnyTimeX2 makes it possible.



ADVANCED GRAND PIANO CONTROL: KAWAI IHSS TECHNOLOGY

The amount of volume produced by each note of an acoustic piano is directly proportional to the velocity at which hammers strike the strings. Gentle key presses translate as slow hammer movements, resulting in a soft, pianissimo tone, while faster, more powerful hammer movements that strike the strings with greater force, produce a louder, fortissimo sound.

AnyTimeX2 instruments reproduce this exact behaviour, integrating sensors within the fine workings of the piano action to detect the precise movements of each hammer. This Integrated Hammer Sensing System (IHSS) represents the subtleties of musical expression more accurately than key-based sensing techniques, allowing musicians to enjoy the delicate nuances of acoustic piano touch, regardless of lifestyle or environmental constraints.



PEERLESS EX CONCERT SOUND

With silent playing mode activated, the AnyTimeX2 system utilises the sound of Kawai's peerless EX concert grand piano, featuring the latest 88-key, stereo sampling techniques and advanced damper and string resonances. Moreover, AnyTimeX2 instruments employ Kawai's proprietary Harmonic Imaging XL sound technology to ensure smooth tonal transitions across the keyboard and throughout the entire dynamic range.

SOUNDBOARD SPEAKER (ATX-f MODEL)

The latest ATX-f models allow AnyTimeX2 digital features to be enjoyed without headphones. This unique system channels sound energy back onto the piano's wooden soundboard, and even allows the volume of the instrument to be adjusted for quieter, more discreet, practice sessions.

DIGITAL CONVENIENCE

Digital operation greatly extends the capabilities of the AnyTimeX2 piano beyond that of a traditional acoustic instrument, with convenient transpose and tuning facilities, a metronome and song recorder, and a selection of high fidelity sounds suitable for various musical occasions.





GX ATX2



E / P

ATX2 system not available on GX-7/GX-6 models.
Availability of ATX2-equipped models may vary depending on market area.

ATX2 / ATX2-f SPECIFICATIONS

Sound Source	Harmonic Imaging™ XL (HI-XL), 88-key piano sampling
Polyphony	max. 256 notes
Internal Sounds	27 voices
Display	128 x 64 pixel LCD with backlight
Reverb	Types: Room, Lounge, Small Hall, Concert Hall, Live Hall, Cathedral Parameters: Reverb Depth, Reverb Time
Metronome	1/4, 2/4, 3/4, 4/4, 5/4, 3/8, 6/8, 7/8, 9/8, 12/8 + 100 drum rhythms
Recorder	10 song, 2 track recorder – approximately 90,000 note memory capacity
USB Functions	Play & Record MP3/WAV/MIDI, Load & Save Internal Song / User Memory, Save SMF Song, Rename File, Delete File, Format USB, Convert Song to Audio, Overdub Audio
Lesson Function	Finger exercises + Alfred or Burgmüller, Czerny, Beyer, and Bach lesson books*
Virtual Technician	Voicing, Damper Resonance / Noise, String Resonance, Key-off Effect (incl. Key-off Release), Fall-back Noise, Hammer Delay, Topboard, Decay Time, Soft Pedal Depth, User Touch Curve, Temperament, Key of Temperament, Stretch Tuning, Tuning, User Tuning, User Key Volume, Half-Pedal Adjust, Minimum Touch
Other Features	Dual/Split/Four Hands, Balance Adjust, Key / Song Transpose, Tone Control (incl. User EQ), Speaker (ATX2-f) / Phones / Line Out Volume, Audio Recorder Gain, Wall EQ (ATX2-f), Damper Hold, LCD Contrast, User Memory, Factory Reset, Lower Octave Shift, Lower Pedal On/Off, Layer Octave Shift, Layer Dynamics, MIDI Channel, Send PGM#, Local Control, Transmit PGM#, Multi-timbral Mode, Channel Mute, Auto Power Off
Jacks	MIDI (IN/OUT), USB (to Device), LINE IN, LINE OUT, Headphones x 2
Power Consumption	ATX2: 15 W, ATX2-f: 25 W

Specifications are subject to change without notice.

* Depending on market area.



The Hybrid mark classifies Kawai instruments that combine traditional acoustic processes with modern digital technology in equal balance. This 'third genre' represents a significant, yet gracious evolution in musical instrument design, and reaffirms Kawai's commitment to producing the world's finest pianos.

EX FULL CONCERT GRAND PIANO: THE WINNER'S CHOICE

The international piano competition – a lofty stage where the most skilful and demanding concert pianists gather from all four corners of the globe to compete for their art form. For the piano maker, this is the ultimate test of quality – a place where their finest instruments are scrutinised under the most rigorous of performance conditions.

The EX concert grand piano made its spectacular debut on the world stage of the Chopin International Piano Competition in 1985. The reputation of the EX has continued to grow since this time, and today the instrument is frequently selected as one of the official concert grand pianos for a number of other prestigious international piano competitions. Many of the finest concert pianists have achieved competition success playing the EX concert grand piano.



Tchaikovsky International Competition

Established in 1958 and held every four years in Moscow, Russia, the Tchaikovsky International is considered one of the world's most prestigious competitions. Musicians compete in a wide range of musical disciplines, including violin, cello, voice, and piano, with previous notable winning pianists including Van Cliburn and Vladimir Ashkenazy.

The EX concert grand piano first appeared at the Tchaikovsky in 1994, where it was selected by 2nd prize winner Nikolai Lugansky and 3rd prize winner Vadim Rudenko (a 1st prize was not awarded). Performances played using the EX received widespread acclaim.

Dublin International Piano Competition

Despite its relatively short history, this competition – established in Dublin, Ireland, in 1988 – is highly regarded on the international stage, due to the strong support provided to competition winners for domestic and international performance tours.

The reputation of the EX concert grand at this competition continues to improve, in harmony with its success. At the first Dublin competition in 1988, 5th placed Jura Margulis selected the EX. At the second competition three years later, 1st placed Pavel Nersessian, 2nd placed Enrico Pace, and 3rd placed Edward Montero all selected the EX, as did all prize winners, up to 6th place.

Chopin International Piano Competition

Held every five years in Warsaw, Poland, the birthplace of Chopin, this prestigious competition was established in 1927, and is widely considered to be one of the most influential in the world. In addition to being a gateway to success for prize-winning participants, the Chopin International is believed to be the most objective setting in which a piano can be judged. As a result, a number of piano builders make their finest instruments available for selection. In 1985, the EX received the honour of being chosen as the official piano for the competition. In the year 2000, Argentinian pianist Ingrid Fliter selected the EX throughout the competition and was eventually awarded the silver medal. Over the years, a number of other Chopin finalists have also selected the EX for their performances.

Sydney International Piano Competition

Established in 1977, the Sydney International Piano Competition of Australia is held every four years, with the final round staged inside Sydney's iconic opera house. This highly regarded competition selects 36 pianists from around the world through a rigorous auditioning process.

Kawai has supported the Sydney International since the competition's inception, providing concert grand pianos for official selection. In 2004, New Zealand pianist John Chen selected Kawai at each stage of the event, clinching 1st prize to become the competition's youngest winner at just 17 years old.

Rubinstein International Piano Competition

Named after the legendary 20th century pianist Artur Rubinstein, this piano competition is held every three years in Tel Aviv, Israel. With strong influence internationally, this competition attracts a considerable amount of interest from the classical music community, and has witnessed a number of excellent pianists compete and perform.

First established in 1974, notable winners have included Emanuel Ax (1974) and Gerhard Oppitz (1977). The EX was selected as the official competition piano in 1989, and continues to grow in stature and reputation.

International music halls and institutions with Kawai pianos installed

Conservatoire Nationale Supérieur de Paris

Opera de Paris

Académie Royale de Monte Carlo

Conservatoire National de Bordeaux

Wiener Philharmoniker

Wiener Symphoniker

Konservatorium der Stadt Wien

Wiener Sängerknaben

Hochschule für Musik, Mozarteum

Bayreuther Festspiele

Hochschule für Musik, Frankfurt

Staatliche Hochschule für Musik, München

Chopin's birthplace

Ostrogski Castle

National Philharmonic Hall, Warsaw

Teatro alla Scala, Milano

Konservatorium, Genève

Real Conservatorio Superior de Música de Madrid

Apollo Theatre

The Australian Ballet

Roy Thomson Hall

Tokyo Metropolitan Theatre

The Harmony Hall

China Conservatory of Music





SPIRIT OF INNOVATION WITHIN EACH PIANO

THE HISTORY OF KAWAI

Kawai Musical Instruments was founded in 1927 by Koichi Kawai, a gifted individual affectionately known as “Koichi the inventor” among his friends and family. Koichi was the first engineer in Japan to design and build a complete piano action, with his many technical achievements contributing to the company’s early growth.

Today, Kawai has established a strong position within the global music industry, and has earned the trust of prestigious pianists and musical academics worldwide.

THE PASSIONATE QUEST BEGINS

In 1927, musical instrument legend and our company’s founder, Koichi Kawai, established Kawai Musical Research Laboratory with a dream in his heart: “With these hands, I wish to create the world’s finest pianos”. Koichi’s dream resonated with several of his colleagues, as they worked together in a small, cramped warehouse. Resources were limited, but they shared a unified desire to craft excellent pianos. That year, they produced the ‘Showa-gata’ (Showa type) upright piano, then in the following year of 1928, the first of Koichi’s original grand pianos, ‘Hiradai Ichi-gou’ (Flat type no.1) was created. The company continued uncompromisingly, producing grand pianos one by one, following the traditional philosophy of craftsmanship with passion. And so began the story of Kawai.





FROM PASSION TO INNOVATION

The laboratory was expanded in order to meet growing demand, and in 1929 renamed to Kawai Musical Instruments Manufacturing. With the first Japan produced piano action proving to be a success, Koichi's engineering talents blossomed, as he developed more and more techniques. A patent for a groundbreaking, innovative new system called 'Freely Action', which allowed the key to strike the string independently, was granted. Similar patents, including a new form of soundboard, were also acquired, with Koichi's inventions becoming the driving force for creating excellent pianos. Even throughout the pre-war and post-war chaos, Koichi's ideal of "creating the world's finest pianos" remained unchanged. Kawai's craftsmanship was passed onto the next generation of engineers, with various new innovations continuing the pursuit of the ideal piano.

GRAND PIANO CREATION UTOPIA: 'THE WORKSHOP IN THE WOODS'

Inheriting the dream established by Koichi Kawai, the company's second president, Shigeru Kawai, invested heavily in expansion, and in 1980 opened the Ryuyo Grand Piano factory – the world's largest grand piano facility. With over 15,000 new trees planted around the facility, the Ryuyo factory was affectionately termed 'the workshop in the woods', and maintained the same spirit of "crafting pianos individually, one at a time" upon which Kawai was founded. A 'gold standard of piano creation' was established

to ensure that traditional techniques were preserved for posterity, and handed down to future generations. Here, pianos are built by hand, one at a time, using the finest materials selected by master craftsman. Meanwhile, engineers at the Shigeru Kawai Research & Development Laboratory perform extensive scientific analysis utilising cutting-edge examination equipment, constantly pursuing advancements that improve quality. "It is my goal to have the best pianos in the world constructed at this Ryuyo factory" – these words, spoken by Shigeru Kawai, are written on the Ryuyo Grand Piano factory monument, and occupy the hearts and minds of all the piano craftsmen that work there.

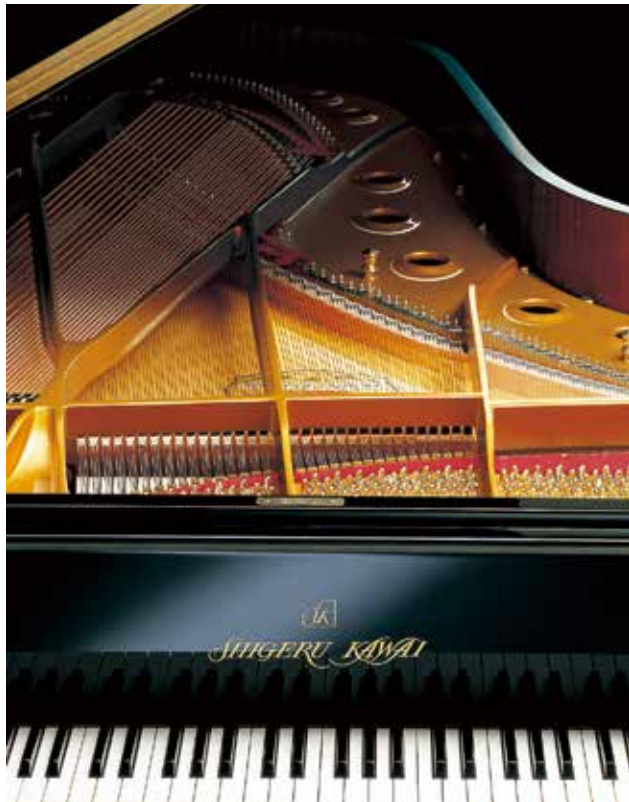
EX: BUILDING THE CRAFTSMAN'S DREAM

One year after the Ryuyo Grand Piano factory had become operational, the EX full concert grand piano – the realisation of the craftsman's dream – was created. Since its debut at the Chopin International Piano Competition in 1985, the EX has received high praise from pianists throughout the world for its depth of tone and powers of musical expression, and has been selected as the official performance piano by a number of well-known international piano competitions. At the 14th Chopin International Piano Competition in 2000, Ingrid Fliter of Argentina selected the EX throughout, and was awarded 2nd prize for her magnificent performance. At many of the world's foremost international piano competitions, the enthusiastic performances of leading pianists playing the EX receive considerable admiration and applause.



THE MUSICIANSHIP OF THE EX IN ALL KAWAI GRAND PIANOS

Following the philosophy of the EX, Kawai continued to apply the knowhow and expertise, striving to improve the quality of all Kawai grand pianos. This resulted in the RX-A, launched in 1983, which inherited the EX's ideology of high quality materials and superior sound, and further expanded Kawai's reputation for excellence around the world. Then, in the autumn of 1999, the Shigeru Kawai range of luxury grand pianos was unveiled, offering many of the rare, unique characteristics of the EX. The Shigeru Kawai series encapsulated the progress in piano creation that had occurred during Shigeru's half-century of leadership, including Kawai's independently developed, ground-breaking Ultra Responsive action, and the careful combination of the finest materials and expertise. From the moment of its release, the reaction to the Shigeru Kawai series from pianists and music critics was highly positive. As a result, the prestigious Shigeru Kawai series has established a strong reputation as some of the finest instruments in the world.



THE REDESIGNED SHIGERU: COMMEMORATING 90 YEARS OF PROGRESS

In 2012, the Shigeru Kawai series underwent the first full model redesign since the instruments' initial launch. The new series adopted the bold decision to extend the length of each key, allowing greater power of expression inherent in full concert grand pianos, and providing a further source of inspiration to the pianist. Since the company's inception, 90 years of progress have been engrained into history. The dreams of our ancestors have come to fruition as many beautiful tones. The passion and sincerity of craftsmanship applied to the creation of the piano, combined with the insatiable pursuit of technological development continues to be handed down. Through a series of meticulous improvement, the sensational Ultra Responsive action has evolved into the Millennium III action.

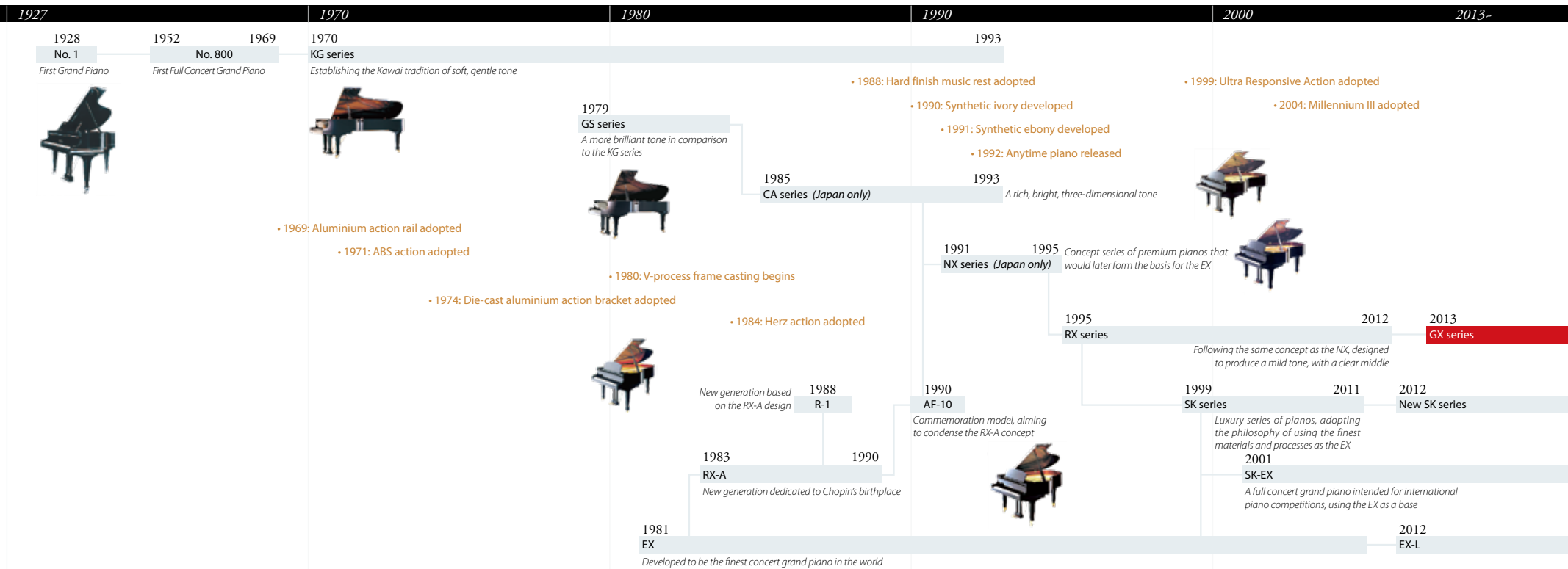
PURSUING NEW CHALLENGES: THE INNOVATION GENE

Crafting the world's finest pianos is a never ending quest, constantly aiming for higher levels, and never being satisfied. It is no exaggeration to say that 'the innovation gene' is one of the underlying properties of a Kawai piano. This explains why Kawai is tirelessly striving to attain higher standards, with highly skilled craftsmen and technicians studying and interacting with wood and other natural and man-made materials on a daily basis.

This is the lineage of all Kawai grand pianos. Unquestionably, a history of challenges that have helped to guide the company, while pushing it forward, developing into the future.

KAWAI GRAND PIANO HISTORY

Koichi Kawai created the first Kawai piano, the 'Showa-gata', in 1927. Since this time, hundreds of thousands of Kawai pianos have been produced, bringing musical enjoyment to piano lovers around the world. The timeline below summarises the significant achievements of Kawai grand piano history.



- 1927 Kawai Musical Instrument Institute established.
- 1928 No. 1 grand piano ("Flatbed No.1") launched.
- 1934 Commemoration model marking the birth of Emperor Akihito.
- 1939 Piano produced for the 1940 Paris Expo.
- 1952 No. 800 grand piano (first Kawai full concert grand piano) launched.



- 1971 Transparent grand piano developed.
- 1979 GS-30 launched.



- 1980 Ryuyo Grand Piano facility opened.
- 1981 EX, the world's finest concert grand piano, launched, marking Ryuyo's 1st anniversary.
- 1984 Total piano production reaches 1.5 million.
- 1985 EX full concert grand selected as official piano for the 11th Chopin International Piano Competition.
- 1986 EX full concert grand selected as official piano for the Rubinstein International Piano Competition and Japan International Piano Competition.



- 1990 Total piano production reaches 2.0 million, AF-10 commemoration model launched.
- 1993 Pianists selecting EX full concert grand piano win prizes in all competitions entered.
- 1994 Nikolai Lugansky wins silver medal playing EX at 10th Tchaikovsky International Piano Competition. Viktor Lyadov wins 2nd Hamamatsu International Piano Competition playing EX. Shigeru Kawai awarded the 'Blue Ribbon Medal' from the Emperor of Japan.
- 1995 New generation of RX series professional grand pianos launched.
- 1997 Ryuyo becomes the first piano manufacturing facility in the world to receive ISO14001 environmental accreditation.
- 1999 Shigeru Kawai range of premium grand pianos launched.

- 2000 Ingrid Fliter wins 2nd prize at 14th Chopin International Piano Competition playing EX.
- 2001 SK-EX concert grand piano launched, becomes flagship Kawai model.
- 2003 75 years of grand piano production.
- 2004 Updated RX-G series of grand pianos launched.
- 2006 Flagship Kawai showroom opened in Tokyo's prestigious Omotesando shopping area.
- 2007 80 year anniversary of Kawai establishment.
- 2009 10th anniversary of Shigeru Kawai premium grand piano series.
- 2012 Shigeru Kawai grand piano series, full model change, introducing extended keys.



KAWAI
THE FUTURE OF THE PIANO